

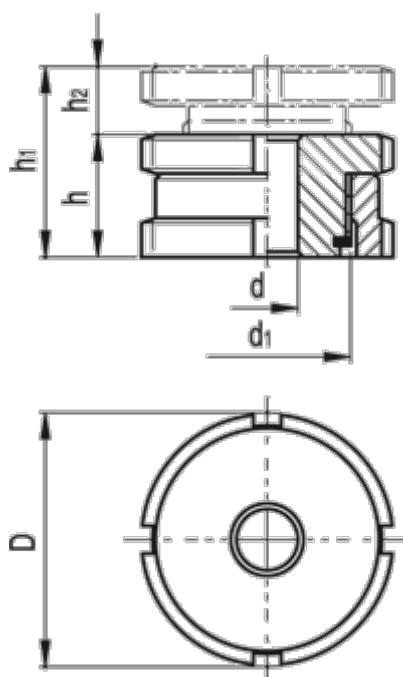
Data Sheet



Article number: 20664259B

Description: E+G Levelling set
GN 350.1-70-26-ST

Measures



C-spanner DIN 1810	= A68-75
d	= 26.0
D	= 70
d_1	= M50x1.5
For screw	= M24
h	= 33
h_1	= 43
h_2	= 10

Max static load (N)	= 330.0
Static preload (N)	= 157.0
Weight (g)	= 744